
Contents Chapter 10

10.1 Spare parts

Spare parts**10.1 Spare parts****Blast housing and seals**

Item	Part no.	Description	QTY.
1	350-1059-SE	Front locating plate outer	1
2	350-1054-SE	Front skirt outer	1
3	-	Front seal angle (machine)	1
4	350-1053-SE	Front skirt intermediate	1
5	350-1058-SE	Locating plate inner	1
6	350-1057-SE	Front skirt fixing plate	1
7	350-1052-SE	Front skirt inner	1
8	350-9006-S	Blast housing cabinet	1
9	350-2010-SEV	Front wheel castor complete	1
10	350-1021-SE	Side seal spring plate	2
11	350-1020-SE	Side seal (set of 2)	2
12	350-1060-SE	Side skirt (set of 2)	2
13	350-1061-SE	Side skirt fixing plate	2
14	350-1050-SE	Side brush (set of 2)	2
15	350-1045-SE	Back brush	1
16	350-1047-SE	Back brush skirt	1
17	350-1115	Topliner cover manganese	1

Spare parts

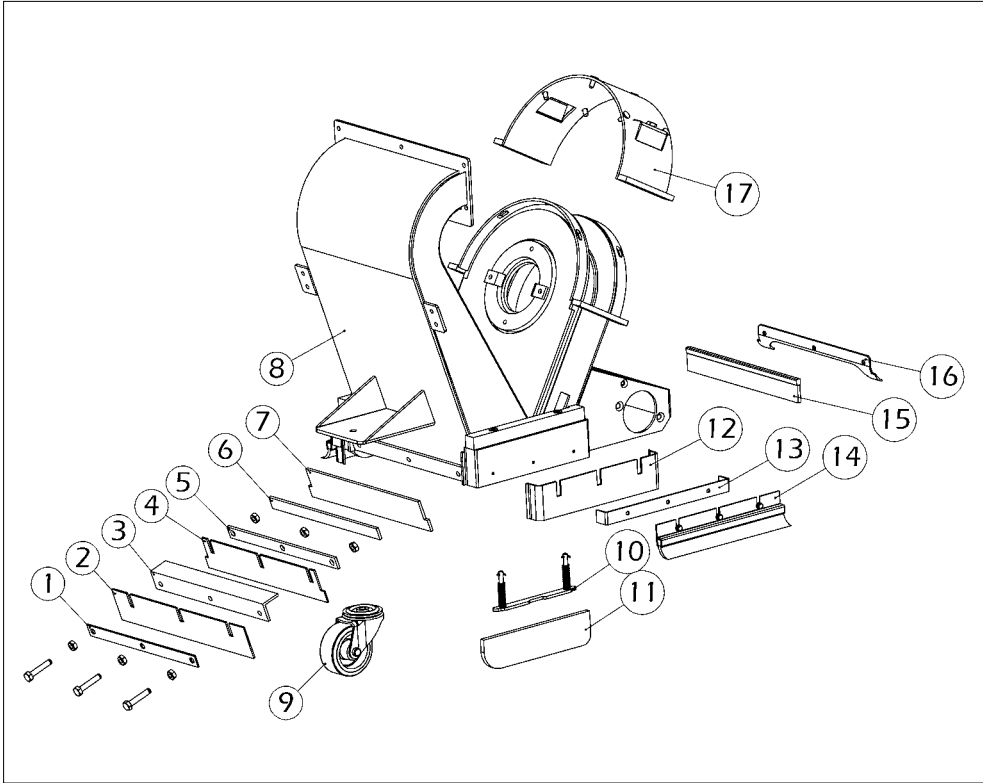


Fig. 10.1

Spare parts

Blast wheel parts and liners

Item	Part no.	Description	QTY.
1	350-1245-SEV	Impeller bolt	1
2	350-9041-SEVU	Control cage clamp	2
3	350-1010	Control cage	1
4	350-1015	Impeller	1
5	350-1025	Blastwheel	1
6	350-1005	Blades (set of 6)	1
7	222-2265	Taperlock adapter blastwheel	1
8	222-2290	Blastwheel shaft taperlock bush	1
9	350-1040	Top liner	1
10	350-1035-SE	Liner RH	1
11	350-1030-SE	Liner LH	1

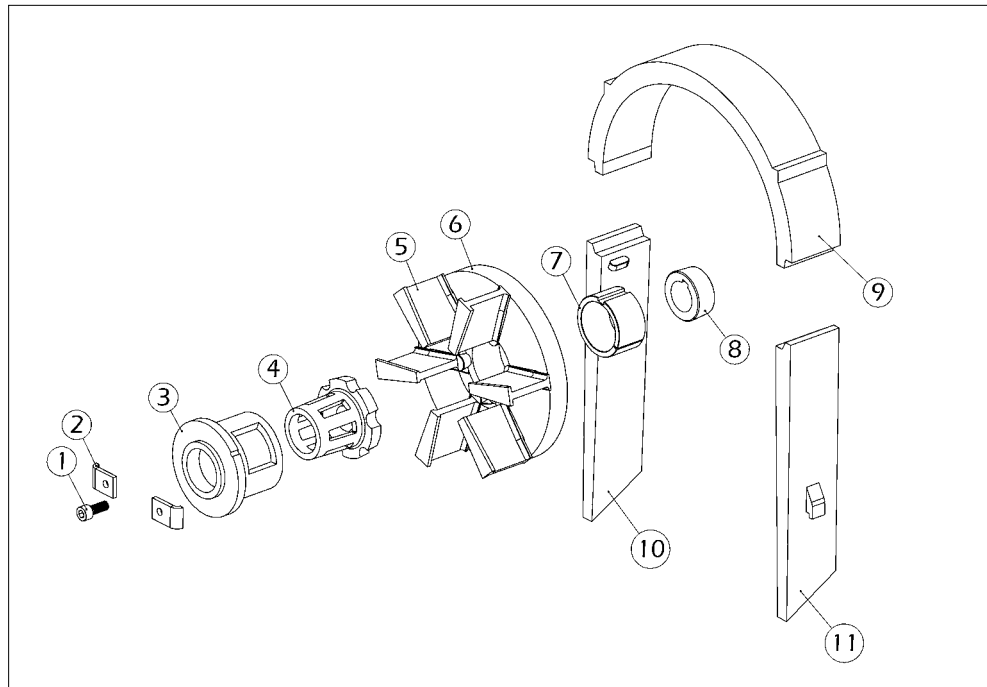


Fig. 10.2

Separator and hopper

Item	Part no.	Description	QTY.
1	350-9120-SE	Separator housing	1
2	350-9112-SE	Shotvalve handle	1
3	350-1069-SE	Shotvalve lever long	1
4	350-9119-SE	Separator door	1
5	350-9117-SE	Separator drawer lock plate	1
6	350-1111-SE	Separator screen tray	1
7	350-9118-SE	Baffle plates	1
8	350-1067-SE	Abrasive storage hopper	1
9	350-2015-SE	Shotvalve axle complete	1
10	350-9240-S	Shotvalve housing	1
11	350-1070-SE	Shotvalve insert rubber	2
12	350-1071-SE	Shotvalve insert steel	1
13	350-1065-SE	Feed spout rubber	1

Spare parts

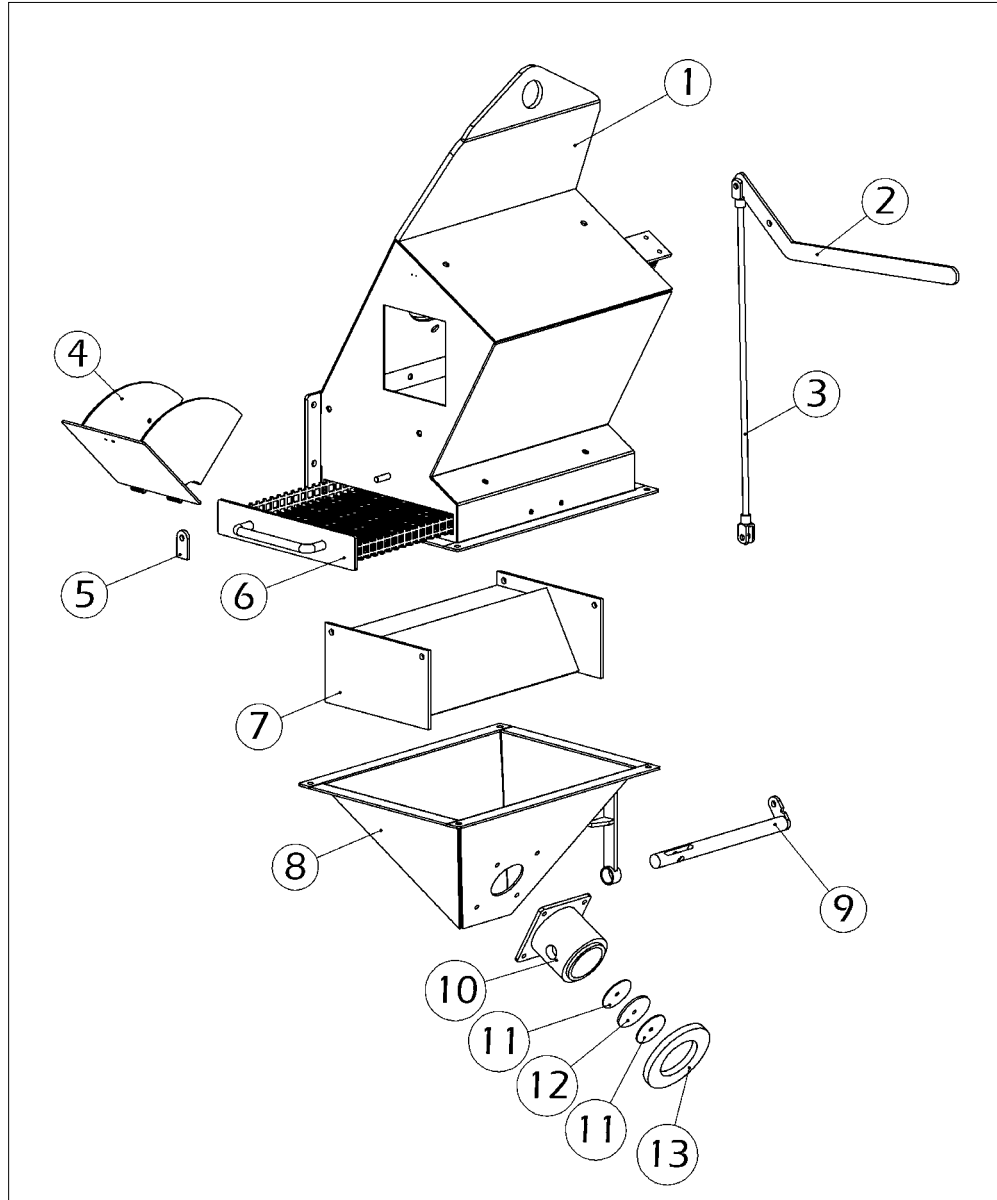


Fig. 10.3

Spare parts

Fan Unit

Item	Part no.	Description	QTY.
01	350-3055-S	Fan motor 1.5 kW	1
02	350-9030	Fan housing plate (top)	1
03	350-1085-SE	Fan impeller	1
04	350-1090-SE	Fan housing	1
05	350-9025	Fan housing plate (bottom)	1
06	035-9035	Fan ring 240x160x5mm	1

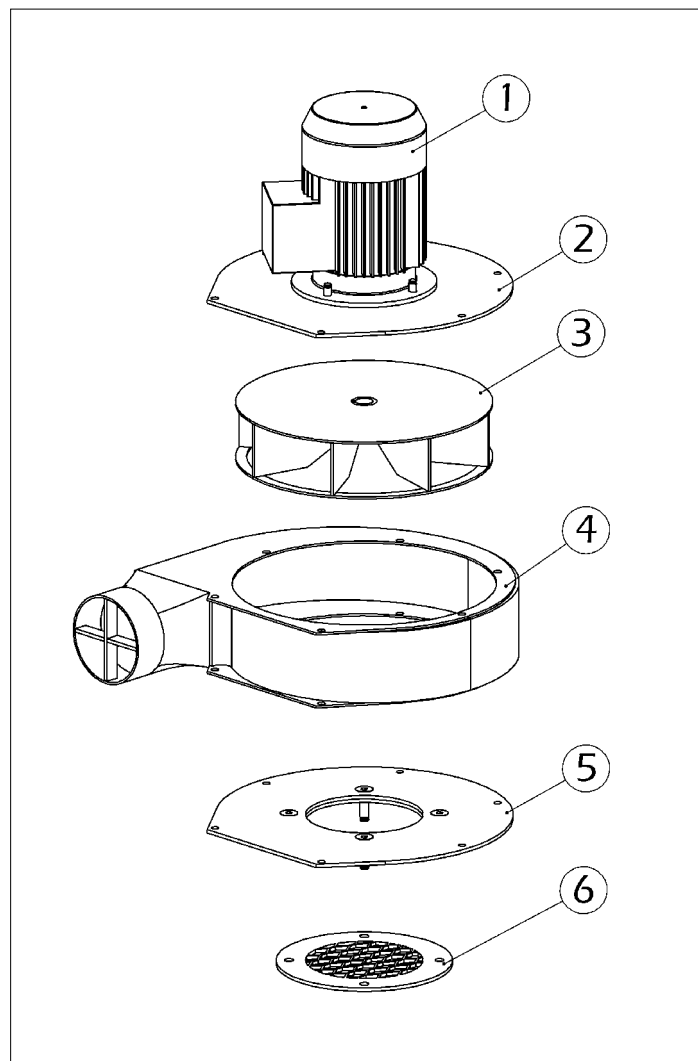
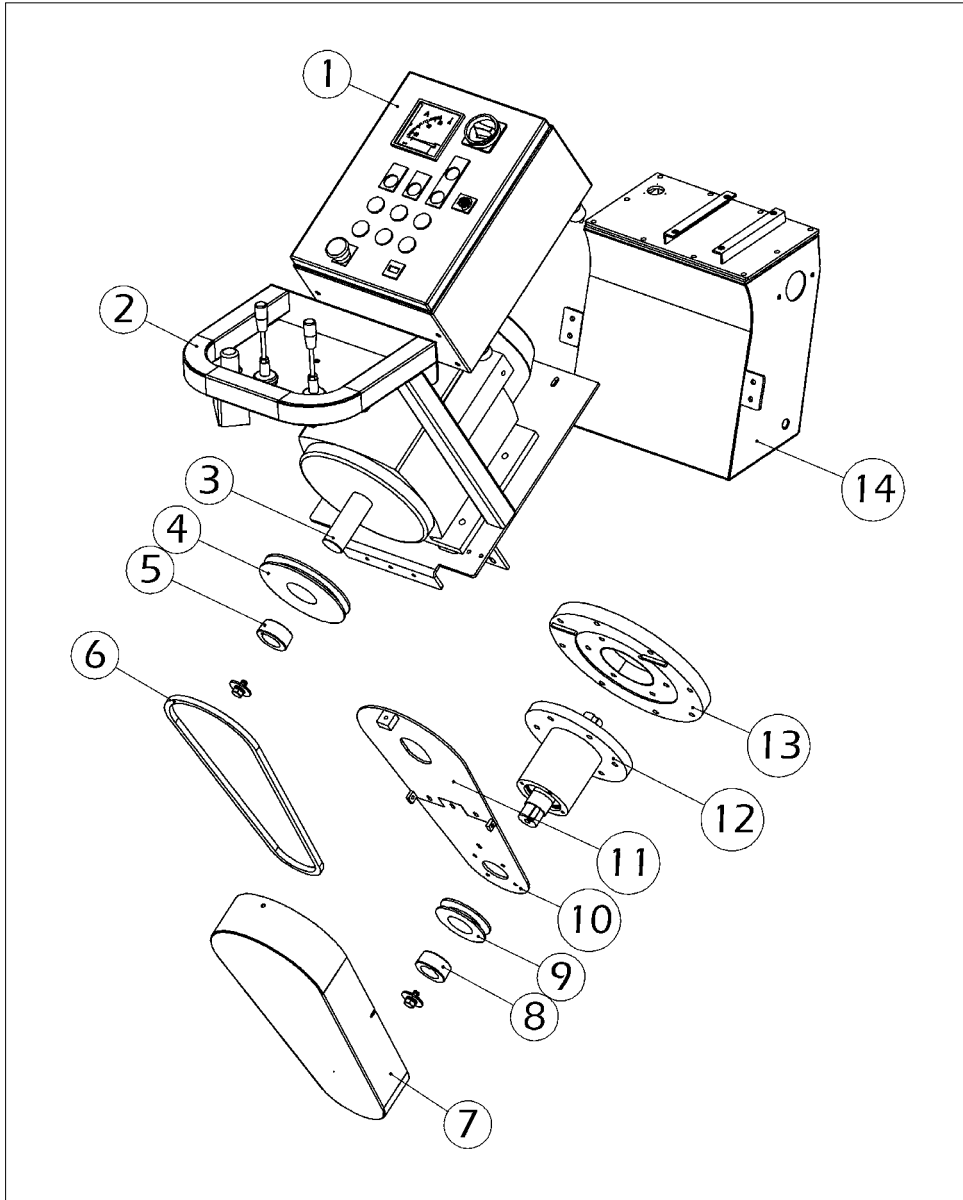


Fig. 10.4

Spare parts
Control handle and blast wheel drive

Item	Part no.	Description	Qty.	Hz.
01		Control box	1	
02	350-9085-S	Handle complete	1	
03	350-3020-SEP	Blastmotor 11kW	1	
04	350-2170	Belt pulley (50Hz)	1	50Hz.
	350-2180	Belt pulley (60Hz)	1	60Hz.
05	222-2171	Taper lock bush	1	50/60Hz.
06	350-2430-S	Blastmotor belt XPA 1120LP	1	
07	350-9255-S	Beltguard complete	1	
08	222-2290	Blastwheel shaft taperl. bush (60Hz)	1	60Hz.
09	350-2175	Belt pulley SPA 80/2 (50Hz)	1	50Hz.
	350-2345	Belt pulley (60Hz)	1	60Hz.
10	350-9027-SE_5	Belt guard plate bottom	1	
11	350-9027-SE_1	Belt guard top plate	1	
12	350-2451-SEV	Blastwheel bring house compl.	1	
13	350-9007-SEVU	Blast motor mount plate	1	
14	350-9080-S	Hydraulic tank	1	

Spare parts



Spare parts
Hydraulic set

Item	Part no.	Description	QTY.
1	350-4101-S	Hydraulic hose set complete	1
2	035-4040	Sucktion filter SF 046B-12GO	1
3	035-4175-S	Pressure relief valve	1
4	350-4115-S	Flange coupling	2
5	035-4105-S	Hydraulic directional control valve	2
6	035-4173-S	Return filter housing	1
7	035-4174-S	Return filter element	1
8	350-3085-S	Filling venting filter	1
9	350-4020	Gearpump 36 1 PD(right)(hydro)	1
10	350-4114-S	Pumpbracket Ø20 (aluminium)	1
11	350-4116-S	Flexible coupling Ø24 (aluminium)	1
12	350-3060-S	Pump motor 1.5kW	
13	350-4172-S	Level gauge LG1 T with thermo	1
14	350-4005-S	Hydraulic drive motor	2
15	350-3080-S	Flow control valve	1

Spare parts

